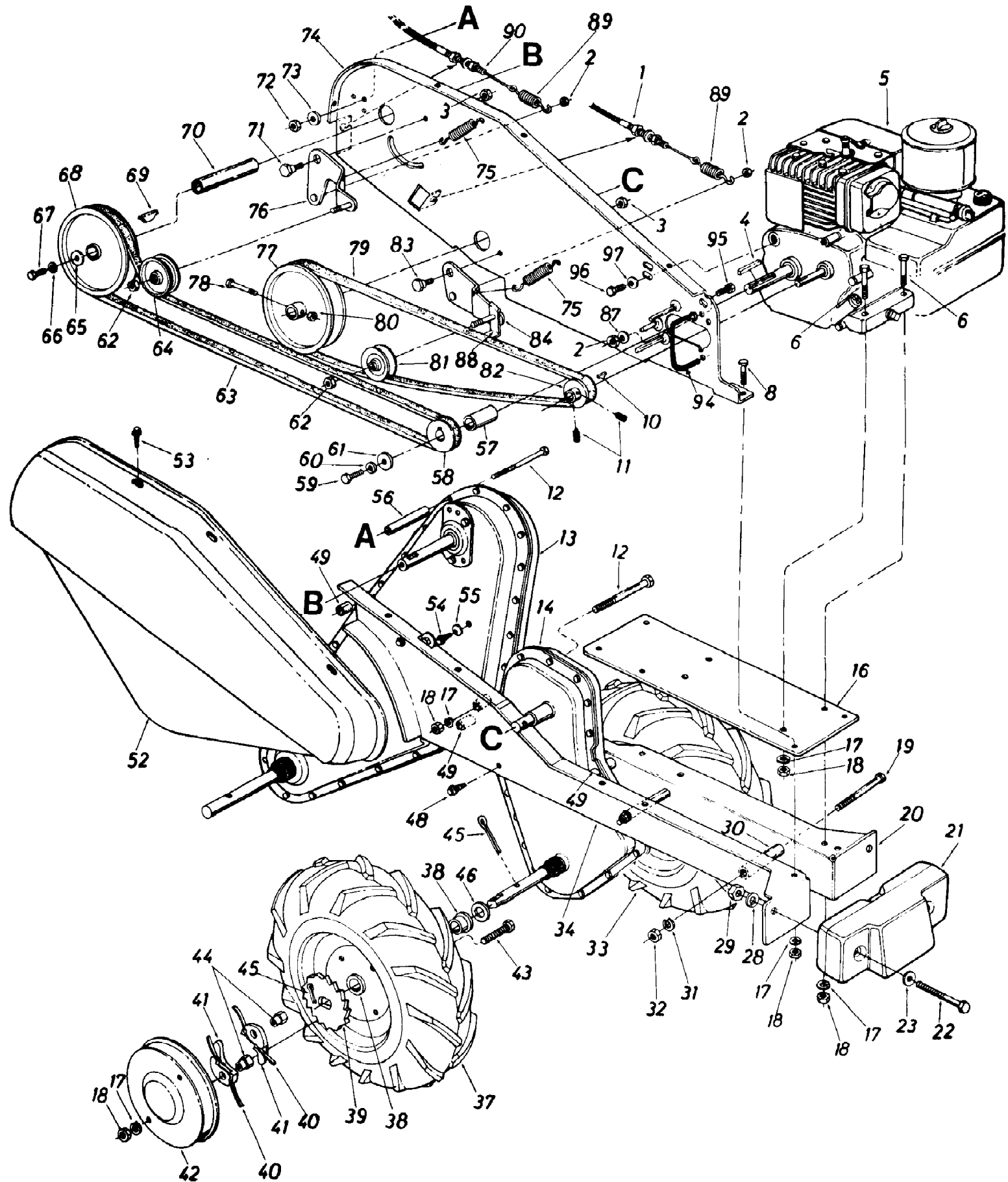


218-403-190 Roto Boss 530 (1988)
Chain Case Assembly

Page 2 of 10

Ref #	Part Number	Qty	S/P/F	Description
1	736-0176	1	S	FI-Wash. 1/4" I.D. x .93" O.D. x .120
2	736-0329	1	S	L-Wash. 1/4" I.D.*
3	710-0513	1		Hex Bolt 1/4-28 x .62"0 Lg. w/Patch
4	716-0131	1	S	External Snap Ring-5/8" Dia.
5	04956	1		Input Shaft Ass'y.
6	741-0304	1		Bearing 5/8" I.D. x 3/4" O.D. x 1.860" Lg.
7	750-0275	1		Sprocket Hub Tubing 3/8" I.D. x 5/8" O.D. x 1.90
8	710-0629	1		Hex Bolt 3/8-24 x 2.75" Lg.
9	736-0258	1	/P	FI-Wash. 3/8" I.D. x 1.25" O.D. x .10
10	713-0331	1	S	Sprocket Ass'y.
11	713-0328	1	S	#50 Chain 5/8" Pitch x 46 Links Endless
12	14986	1		Tine Shaft Ass'y.
13	731-0487	1	S	Dust Cup
14	721-0175	1	S	Seal Ring Single Lip, Springless
15	14984	1	S	Ass'y. Tiller Housing-R.H.
16	721-0170	1		Gasket
17	14985	1		Ass'y. Tiller Housing-L.H.
18	731-0374	1	S	Flange Brg. 1.00" I.D.
19	736-0163	1	S	FI-Thrust Wash. 1.0" I.D. x .03 Thk.
20	750-0570	1	S	Step Spacer
21	736-0169	1	S	L-Wash. 3/8" I.D.
22	712-0711	1	/P	Hex Nut 3/8-24 Thd.*
23	713-0327	1	S	#35 Chain 3/8" Pitch x 52 Links Endless
24	05034	1	S	Bearing Housing 1.38" I.D.
25	750-0471	1	S	Spacer
26	741-0155	1	S	Ball Bearing .625" I.D. x 1.38" O.D. x .437
27	710-0599	1	/P	Hex Wash. SF-Tap Scr. 1/4-20 x.50" Lg.
28	736-0329	1	S	L-Wash. 1/4" I.D.
29	710-0118	1	S	Hex Bolt 5/16-18 x .75" Lg.
30	712-0267	1	S	Hex Nut 5/16-18 Thd.
31	736-0119	1	S	L-Wash. 5/16" I.D.*
32	710-0599	1	/P	Hex Wash. SF-Tap Scr. 1/4-20 x.50" Lg.
	737-0133	1	S	Grease-Plastilube #0 0 (12 oz.)
	14981	1		Tine Chain Case Ass'y.- 0 Comp.

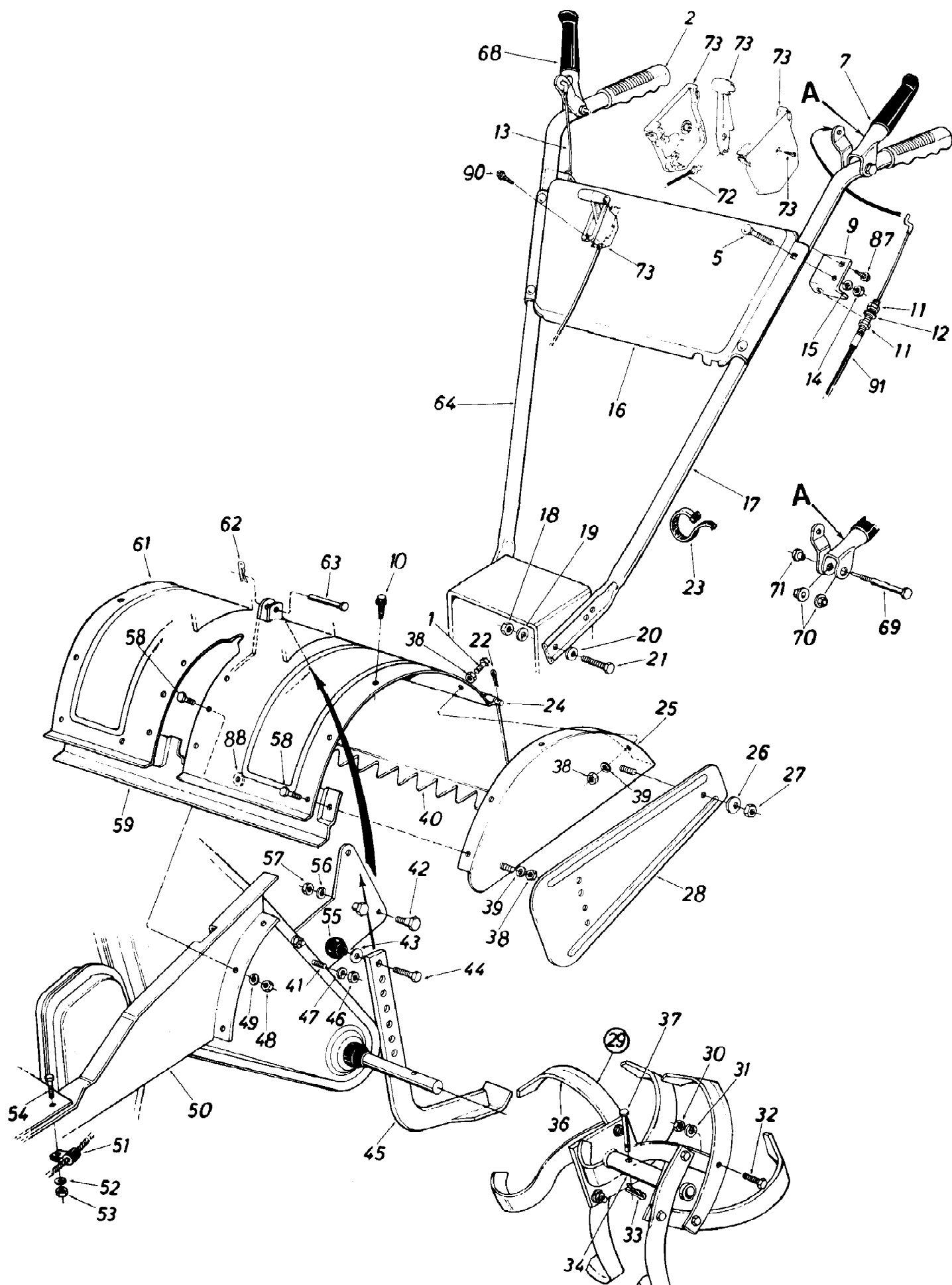


Ref #	Part Number	Qty	S/P/F	Description
1	746-0484	1	S	Clutch Control Cable
2	712-0107	1	S	Hex Cent. L-Nut 1/4-20 Thd.
3	712-0266	1	S	Hex Cent. L-Nut 3/8-16 Thd.*
4	714-0122	1	S	Sq. Key 3/16" Dia. x .75
5		1		Engine
6	710-0442	1	S	Hex Bolt 5/16-18 x 1.50" Lg.*
8	710-0118	1	S	Hex Bolt 5/16-18 x .75" Lg.*
10	714-0131	1		Hi-Pro Key #5 Woodruff
11	710-0938	1		Set Scr. 1/4-28 x .25" Lg.
12	710-0189	1	/P	Hex Bolt 5/16-18 x 3.0" Lg.*
13	14981	1		Chain Case Ass'y. Comp.* Tines
14	784-0102	1		Chain Case Ass'y. Comp.-Wheels
16	14973	1		Engine Mounting Plate
17	736-0119	1	S	L-Wash. 5/16" I.D.*
18	712-0267	1	S	Hex Nut 5/16-18 Thd.*
19	710-0830	1		Hex Bolt 3/8-24 x 3.0" Lg.*
20	14975	1		Frame Rail-L.H.
21	723-0340	1		Counterweight
22	710-0786	1	/P	Hex Bolt 1/2-13 x 4.0" Lg.
23	736-0326	1	S	FI-Wash. 1/2" I.D. x 1.0" O.D.
28	736-0921	1	S	L-Wash. 1/2" I.D.*
29	712-0206	1	S	Hex Nut 1/2-13 Thd.*
30	750-0579	1		Spacer 3/8" I.D. x 5/8" O.D. x 2.18" Lg.
31	736-0169	1	S	L-Wash. 3/8" I.D.*
32	712-0241	1	/P	Hex Nut 3/8-24 Thd.*
33	734-1129	1		Comp. Wheel Ass'y.-L.H.
34	14974	1		Frame Rail-R.H.
37	734-1130	1		Comp. Wheel Ass'y.-R.H.
38	741-0227	1		Flange Brg. 7/8" I.D. x 1.12" Lg.
39	748-0292	1		Ratchet Wheel
40	10622	1	S	Nylon Spring
41	748-0291	1	S	Pawl.44" I.D.
42	14967	1		Wheel Cover
43	710-0874	1	/P	Hex Bolt 5/16-18 x 1.25" Lg.*
44	712-0329	1	S	Special Hex-Nut 5/16-24 Thd.
45	714-0470	1	S	Cotter Pin 1/8" Dia. x 1.25"
46	736-0214	1		FI-Wash. 7/8" I.D. x 1-3/8" O.D. x .06
48	710-0600	1	/P	Hex Wash. Self-Tap Scr. 5/16-24 x .50" Lg.
49	750-0470	1		Spacer 5/16" I.D. x .96" Lg.
52	14980	1		Belt Cover
53	710-0599	1	/P	Hex Wash. S-Tap Scr. 1/4-20 0 x.50" Lg.
54	710-0653	1	/P	Hex Wash. S-Tap Scr. 1/4-20 0 x 3/8" Lg.
55	736-0270	1	/P	Bell-Wash. 1/4" I.D.
56	750-0219	1		Spacer 3/8" I.D. x 2.0" Lg.
57	750-0442	1		Spacer 3/4" I.D. x 1.56" Lg.
58	756-0396	1		1/2" "V"-4L Pulley 3/4" I.D. x 2.59" O.D.
59	710-0152	1	S	Hex Bolt 3/8-24 x 1.00" Lg.
60	736-0169	1	S	L-Wash. 3/8" I.D.*
61	736-0133	1	S	FL-Wash. 3/8" I.D. x 1.25" O.D.
62	712-0116	1	S	Hex L-Nut 3/8-24 Thd.
63	754-0195	1	S	"V"-Belt
64	756-0405	1	/P	FI-Idler Pulley 3.75" O.D. x 3/8" I.D.
65	736-0176	1		FI-Idler Pulley 3.75" O.D. x .93" O.D. x .120

218-403-190 Roto Boss 530 (1988)
Drive Assembly

Page 5 of 10

Ref #	Part Number	Qty	S/P/F	Description
66	736-0329	1	S	L-Wash. 1/4" I.D.
67	710-0412	1	/P	Hex Bolt 1/4-28 x .75" Lg.
68	756-0389	1	S	Split Pulley 6" Dia. x 5/8"-I.D.
69	714-0388	1	S	Hi-Pro Key
70	750-0472	1		Spacer
71	738-0183	1	S	Shld. Bolt 1/2" Dia. x .210"
72	712-0267	1	S	Hex Nut 5/16-18 Thd.
73	736-0119	1	S	L-Wash. 5/16" I.D.
74	14991	1		Side Plate Ass'y.
75	732-0445	1	/P	Ext. Spring 50" O.D. x 1.55"
76	14971	1		Idler Bracket Ass'y.-Tines
77	756-0387	1		Pulley 6" Dia. x 5/8" I.D.
78	710-0698	1	/P	Hex Bolt 1/4-28 x 1.50" Lg.
79	754-0207	1		"V"-Belt
80	712-0117	1	S	Hex Cent. L-Nut 1/4-28 Thd.
81	756-0166	1	S	"V"-Idler Pulley 2-5/8" O.D.
82	756-0386	1		1/2" "V"-Pulley 2 1/4" O.D. x .50" I.D.
83	738-0147	1		Shld. Bolt 1/2" Dia. x .160"
84	14969	1		Idler Bracket Ass'y.-Wheels
	712-0287	1	S	Hex Nut 1/4-20 Thd.
87	736-0270	1	/P	Bell-Wash. 1/4" I.D.
88	15399	1		Belt Keeper Ass'y.
89	732-0387	1		Ext. Spring
90	746-0484	1	S	Clutch Control Cable
94	747-0507	1		Belt Keeper
95	710-0106	1	/P	Hex Bolt 1/4-20 x 1.25" Lg.
96	710-0237	1	/P	Hex Bolt 5/16-24 x .62" Lg.
97	736-0242	1	/P	Bell-Wash. 5/16" I.D.



218-403-190 Roto Boss 530 (1988)
Tiller Frame Assembly

Page 7 of 10

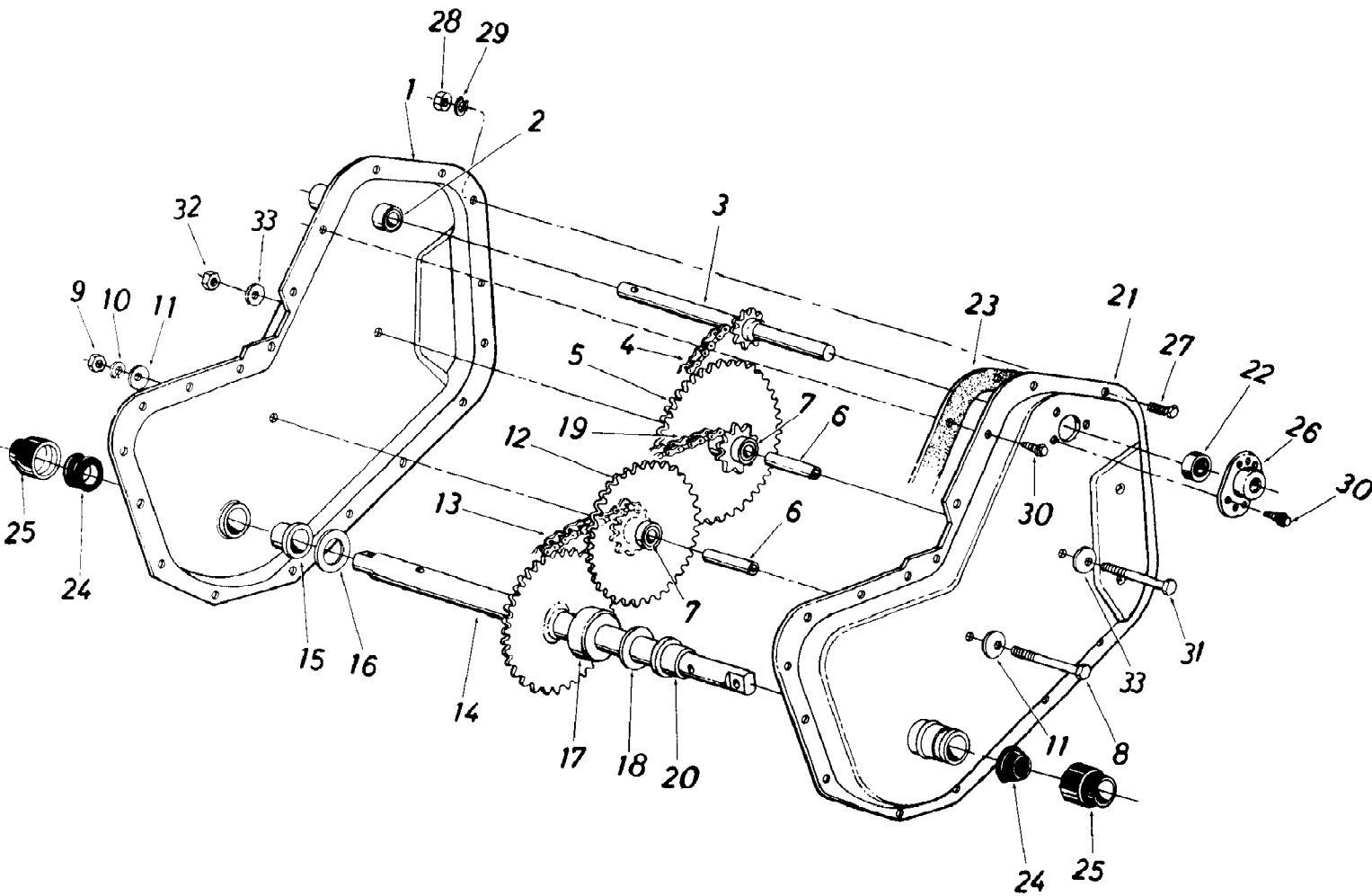
Ref #	Part Number	Qty	S/P/F	Description
1	710-0528	1	/P	Hex Boit 5/16-18 x 1.25" Lg.*
2	720-0180	1	S	Grip
5	710-0458	1	/P	Carr. Bolt 5/16-18 x 1.75"**
7	784-0031	1		Clutch Grip Ass'y.-L.H. (Tines)
9	15093	1	S	Clutch Cable Bracket
10	710-0607	1	/P	Hex Wash. S-Tap Scr. 5/16-18 x .62" Lg.
11	712-0256	1	/P	Hex Nut 5/16-24 Thd.
12	736-0119	1	S	L-Wash. 5/16" I.D.*
13	746-0434	1		Tine Clutch Control Cable
14	712-0267	1	S	Hex Nut 5/16-18 Thd.
15	736-0119	1	S	L-Wash. 5/16" I.D.*
16	784-0036	1		Handle Panel
17	749-0639	1		Handle-L.H.
18	712-0798	1	/P	Hex Nut 3/8-16 Thd.
19	736-0169	1	S	L-Wash. 3/8" I.D.*
20	736-0105	1	/P	Bell-Wash. 3/8" I.D.
21	710-0253	1	S	Hex Bolt 3/8-16 x 1.00" Lg.
22	714-0507	1	S	Cotter Pin 3/32" Dia. x 3/4"*
23	725-0157	1	/P	Cable Tie
24	747-0501	1		Tiller Flap Rod
25	14989	1		End Cover Ass'y.-L.H.
	14990	1		End Cover Ass'y.-R.H. (Not Shown)
26	736-0242	1	/P	Bell-Wash. 5/16" I.D.
27	712-0267	1	S	Hex Nut 5/16-18 Thd.
28	15390	1	S	Side Shield
29	784-0083	1		Tine Ass'y. Comp.-L.H.
	784-0082	1		Tine Ass'y. Comp.-R.H. (Not Shown)
30	712-0241	1	/P	Hex Nut 3/8-24 Thd.
31	736-0169	1	S	L-Wash. 3/8" I.D.
32	710-0191	1	/P	Hex Bolt 3/8-24 x 1.25" Lg.
33	714-0149	1	S	Hairpin Cotter
34	784-0084	1		Tine Adapter Ass'y.
36	742-0105	1		Tine 12" L.H.
	742-0106	1	S	Tine 12" R.H. (Not Shown)
37	711-0415	1	S	Clevis Pin 3/8" Dia.
38	712-0267	1	S	Hex Nut 5/16-18 Thd.
39	736-0119	1	S	L-Wash. 5/16" I.D.
40	784-0088	1		Tine Shield Flap
41	710-0736	1		Hex Bolt 5/16-18 x 1.0" Lg.
42	738-0507	1	S	Shld. Bolt 1/2" Dia. x .426"
43	736-0117	1	S	FI-Wash. 3/8" I.D. x 5/8" O.D.
44	710-0216	1	/P	Hex Bolt 3/8-16 x 3/4" Lg.
45	14992	1	S	Depth Bar Ass'y.
46	712-0267	1	S	Hex Nut 5/16-18 Thd.
47	736-0119	1	S	L-Wash. 5/16" I.D.
48	712-0267	1	S	Hex Nut 5/16-18 Thd.
49	736-0119	1	S	L-Wash. 5/16" I.D.*
50	14975	1		Frame Rail-L.H.
51	726-0175	1	/P	Clamp 5/16" Dia.
52	736-0119	1	S	L-Wash. 5/16" I.D.
53	712-0267	1	S	Hex Nut 5/16-18 Thd.
54	710-0118	1	S	Hex Bolt 5/16-18 x 3/4" Lg.
55	720-0165	1	S	Hex Bolt 5/16-18 x 3/8-16 Thd.

218-403-190 Roto Boss 530 (1988)
Tiller Frame Assembly

Page 8 of 10

Ref #	Part Number	Qty	S/P/F	Description
56	736-0169	1	S	L-Wash. 3/8" I.D.
57	712-0798	1	/P	Hex Nut 3/8-16 Thd.
58	710-0118	1	S	Hex Bolt 5/16-18 x .75" Lg.
59	784-0087	1		Bracket Reinforcement
	710-0118	1	S	Hex Bolt 5/16-18 x .75" Lg.
61	784-0085	1		Tine Shield Ass'y.
62	714-0149	1	S	Hairpin Cotter
63	711-0415	1	S	Clevis Pin 3/8" Dia.
64	749-0763	1		Handle-R.H.
68	784-0270	1		Clutch Grip Ass'y.-R.H. (Wheels)
69	738-0560	1	S	Shoulder Bolt .38" Dia. x 1.53" Lg.
70	741-0402	1	S	Hex Flange Plastic Bearing
71	738-0561	1	S	Shoulder Nut 1/4-20 Thd.
72	746-0512	1		Throttle Control Wire
73	831-0823	1	S	Throttle Control Box Ass'y.
87	710-0599	1	/P	Hex Wash. S-Tap Scr. 1/4-20 x .50" Lg.
88	736-0242	1	/P	Bell-Wash. 5/16" I.D.
90	710-0779	1	S	Self-Tap Scr. #10 x 1/2" Lg.
91	746-0484	1	S	Wheel Drive Cable

218-403-190 Roto Boss 530 (1988)
Wheel Chain Case Assembly



218-403-190 Roto Boss 530 (1988)
Wheel Chain Case Assembly

Page 10 of 10

Ref #	Part Number	Qty	S/P/F	Description
1	14962	1		Chain Case Half Ass'y.-R.H.
2	748-0154	2		Bearing 5/8" I.D. x .813" O.D. x 1.31" Lg.
3	14960	1		Input Shaft Ass'y.
4	713-0325	1	S	Chain #35-3/8" Pitch x 44 Links
5	713-0316	1		Sprocket and Hub Ass'y.
6	750-0351	1		Bearing Inner Axle
7	741-0228	1	S	Sleeve Brg. 5/8" I.D. x 3/4" O.D. x 1.50
8	710-0369	1	/P	Hex Bolt 3/8-24 x 2.50" Lg.
9	712-0116	1	S	Hex Ins. L-Nut 3/8-24 Thd.
10	736-0169	1	S	L-Wash. 3/8" I.D.*
11	736-0219	1	S	Bell-Wash. .41" I.D. x 1.13" O.D. x .03
12	713-0330	1		Sprocket & Hub Ass'y. 9T-22T
13	713-0326	1	S	#420 Chain 1/2 Pitch x 28 Links Endless
14	784-0095	1		Wheel Shaft Ass'y.
15	741-0227	1		Flange Bearing
16	736-0265	1	/P	FI-Wash. .88" I.D. x 1.5"* O.D. x .03
17	750-0354	1	S	Spacer 7/8" I.D. x 13/4" O.D. x .68" Lg.
18	736-0265	1	/P	FI-Wash. .88" I.D. x 1.50" O.D. x .03
19	713-0267	1		#420 Chain 1/2" Pitch x 30 Links Endless
20	741-0227	1		Flange Bearing
21	15797	1		Chain Case Half Ass'y.-L.H.
22	741-0155	1	S	Bearing
23	721-0156	1	S	Gasket
24	721-0157	1		Seal
25	731-0486	1		Dust Cup
26	05034	1	S	Bearing Housing
27	710-0195	1	S	Hex Bolt 1/4-28 x 5/8" Lg.
28	712-0138	1	S	Hex Nut 1/4-28 Thd.
29	736-0329	1	S	L-Wash. 1/4" I.D.*
30	710-0599	1	/P	Hex Wash. S-Tap Scr. 1/4-20 x .50" Lg.
31	710-0373	1	S	Hex Bolt 5/16-18 x 2.5" Lg.
32	712-0158	1	S	Hex Cent. L-Nut 5/16-18 Thd.
33	736-0159	1	S	FI-Wash. 5/16" I.D.
	737-0133	1	S	Grease-Plastilube #0 0 (10 oz.)
	784-0102	1		Wheel Chain Case Ass'y. Comp.